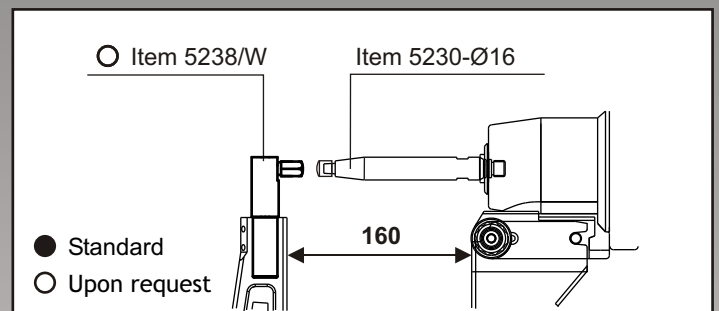
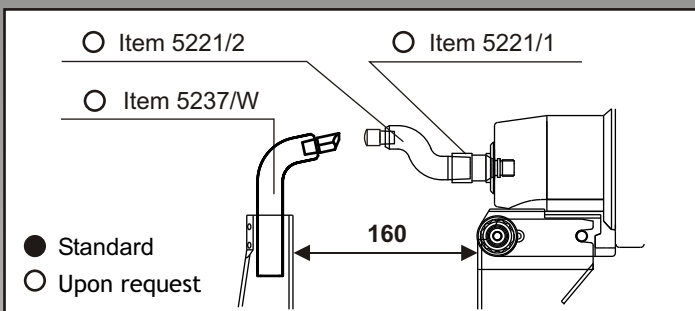
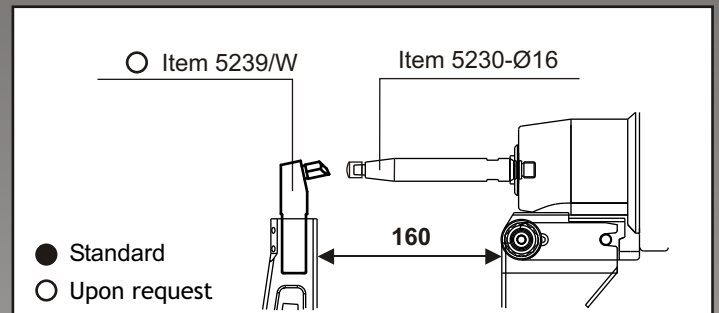
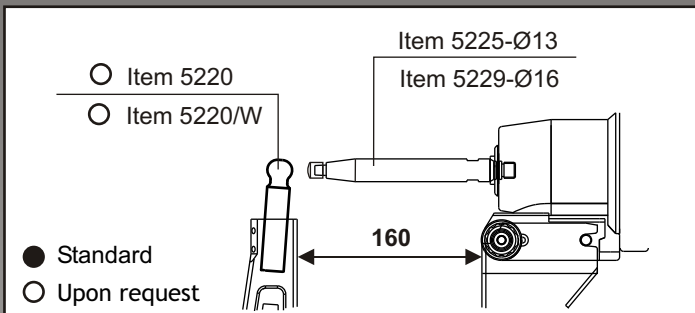
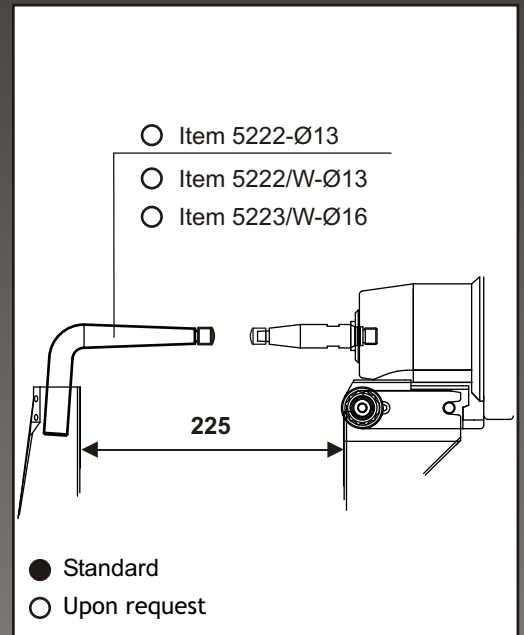
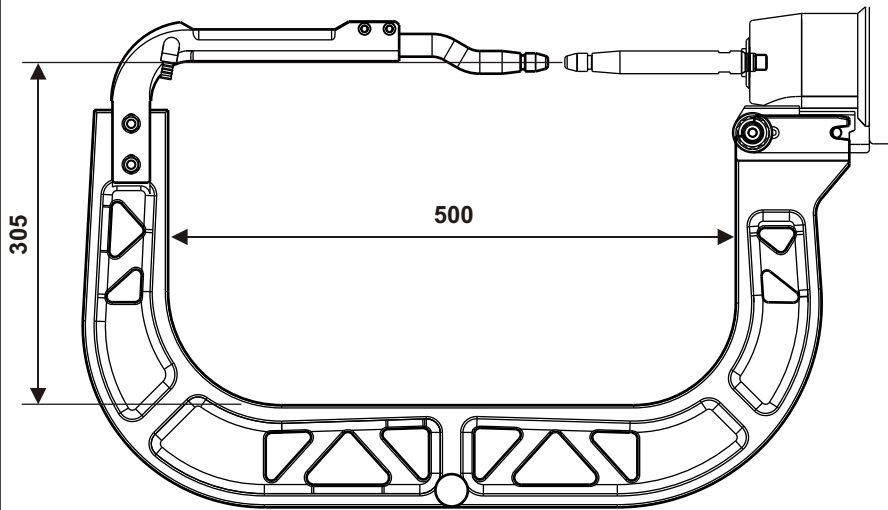
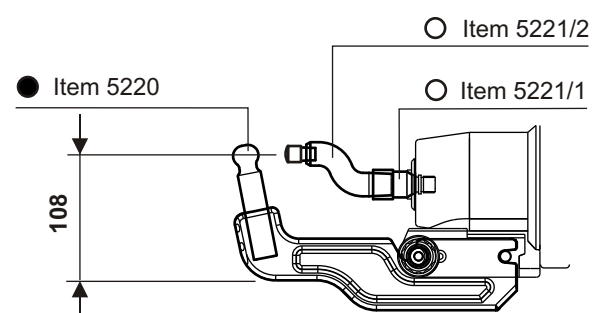
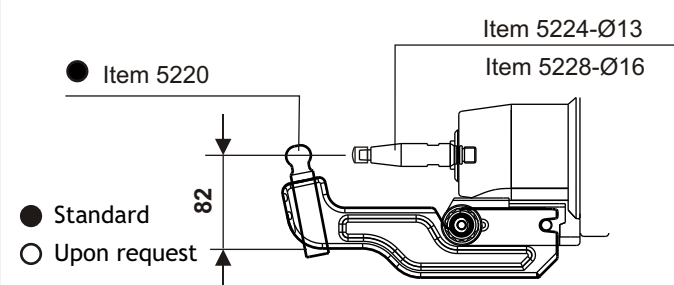


Selection of Arms, Electrodes and Accessories

Item 8690/W/S



Item 8689



OPTIONAL
for
5221/2



The accessories upon demand item 8689-5220-5221/1-5221/2 can be used at max 6 bar only