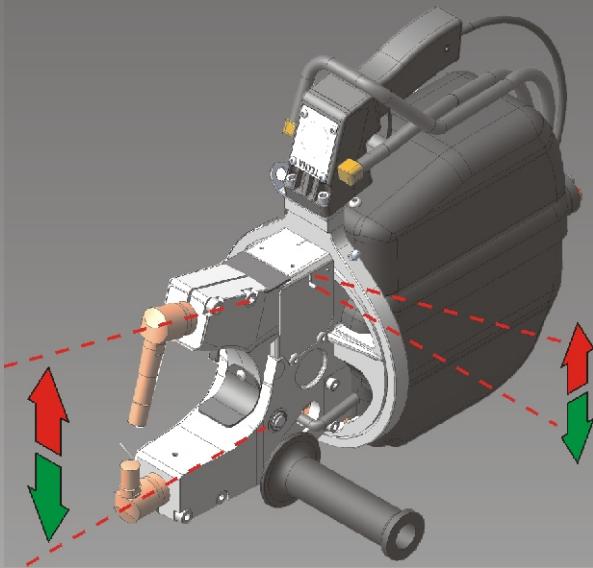
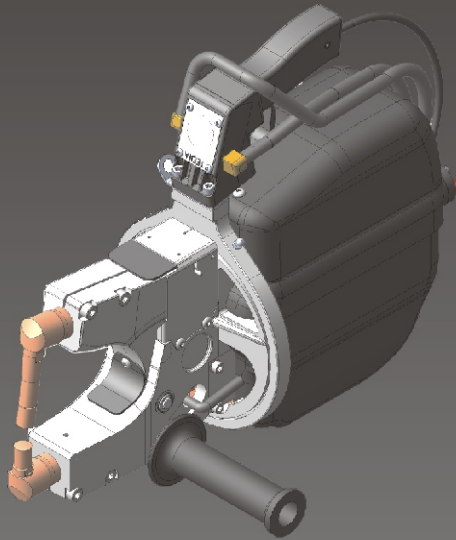


"X gun" 8678T



Extra stroke

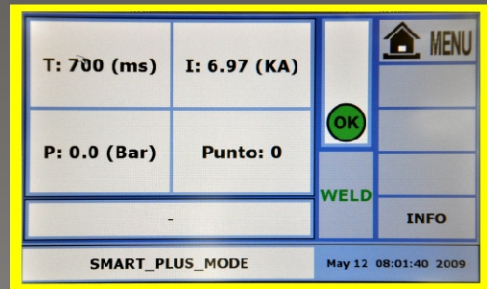
Item 8678T

Nominal power 50% ED	12	kVA
Maximum welding power	17	kVA
Maximum secondary voltage	14	kA
Thermal current 100%	1,8	kA
No load secondary voltage	6,8	V
Max. electrode force arms L 120mm	610	daN
Protection rating	21	IP
Weight	13	kg

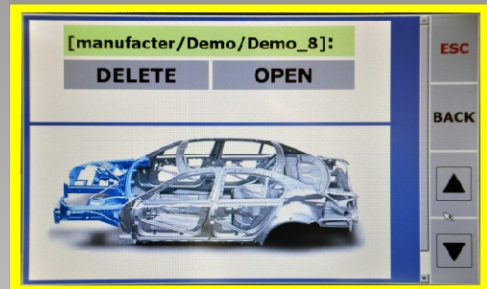
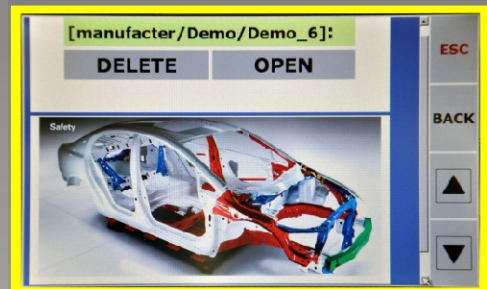
* Different voltages and frequencies on demand

Smart Plus

Smart Plus Mode
automatic welding system
(pending patent)



Car Manufacturers parameters with display of the parts to be welded



Graphic display of the welding parameters

